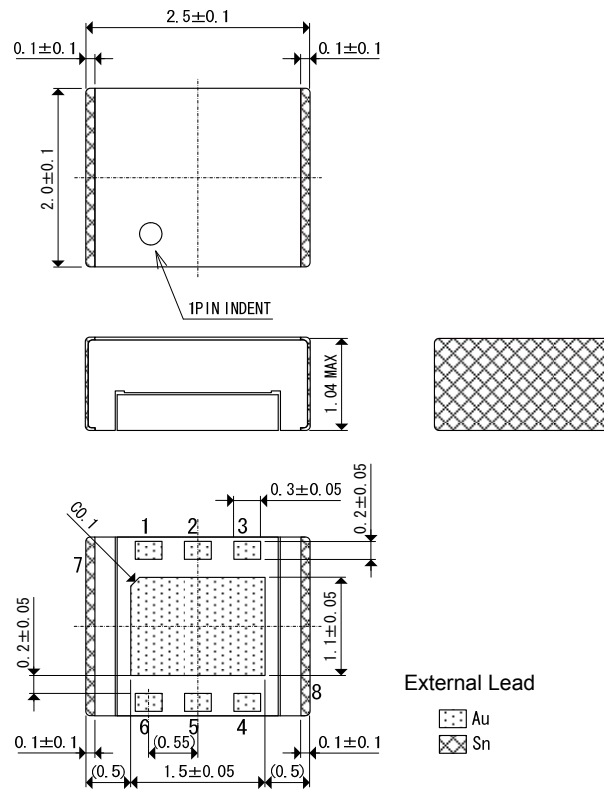


Packaging Information / Reference Pattern Layout Dimensions

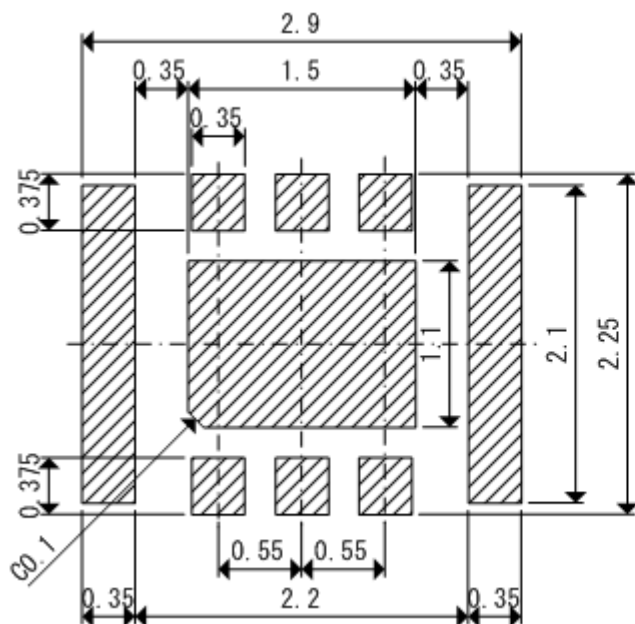
●CL-2025

■Packaging Information

Unit: mm



■Reference Pattern Layout Dimension



■Reference metal mask design

