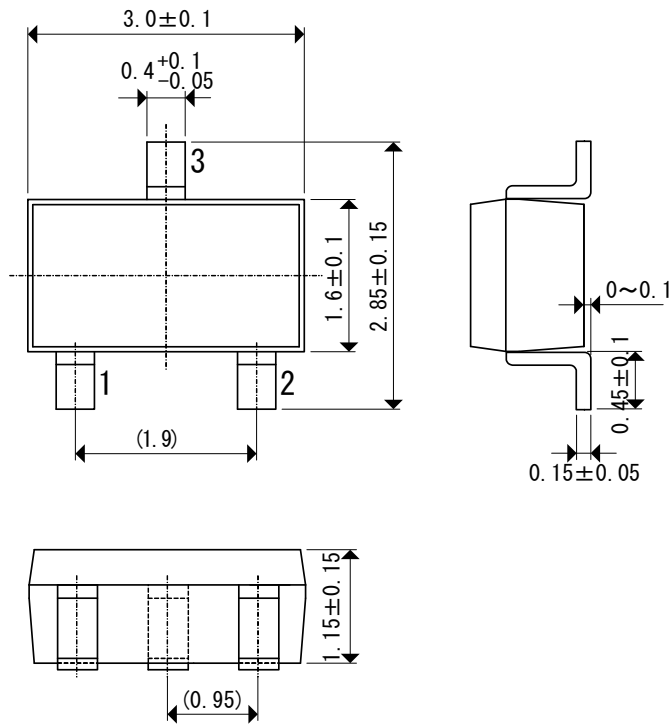


Packaging Information

● SOT-23D

Unit: mm

■ Packaging Information



■ Position of sensor

