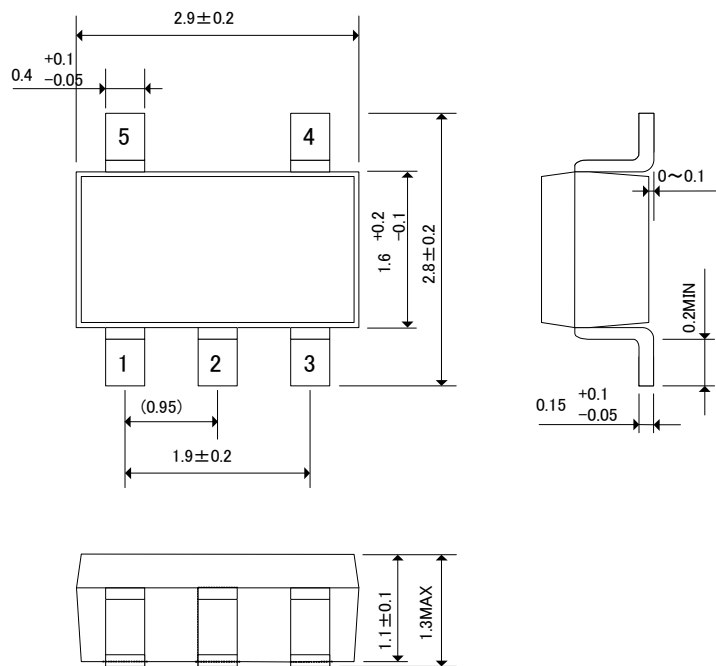


Packaging Information / Reference Pattern Layout Dimensions

- SOT-25-02
- SOT-25-03

Unit: mm

■Packaging Information



■Reference Pattern Layout Dimension

