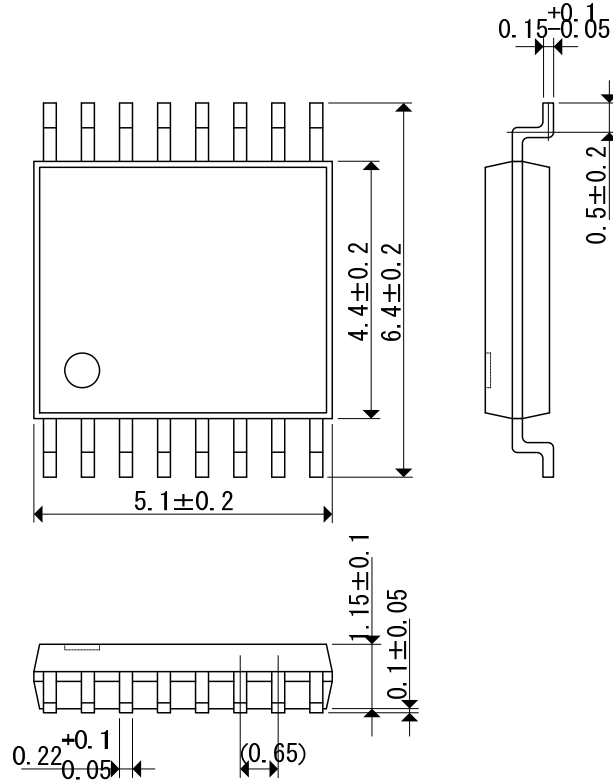


Packaging Information / Reference Pattern Layout Dimensions

● TSSOP-16

Unit: mm

■ Packaging Information



■ Reference Pattern Layout Dimension

