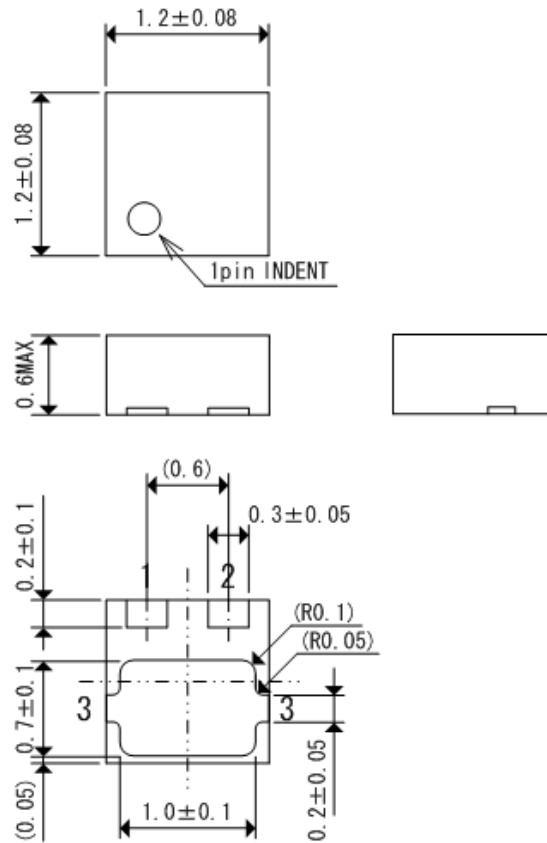


Packaging Information / Reference Pattern Layout Dimensions

● USP-3

Unit: mm

■ Packaging Information



■ Reference Pattern Layout Dimension

Note : reference metal mask design

