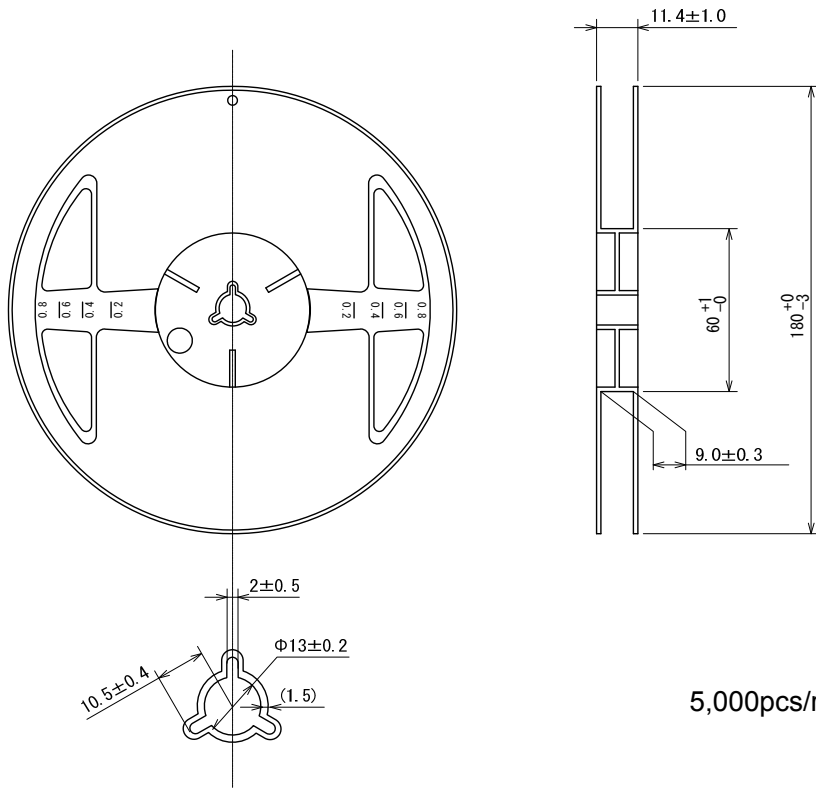


Taping Specifications

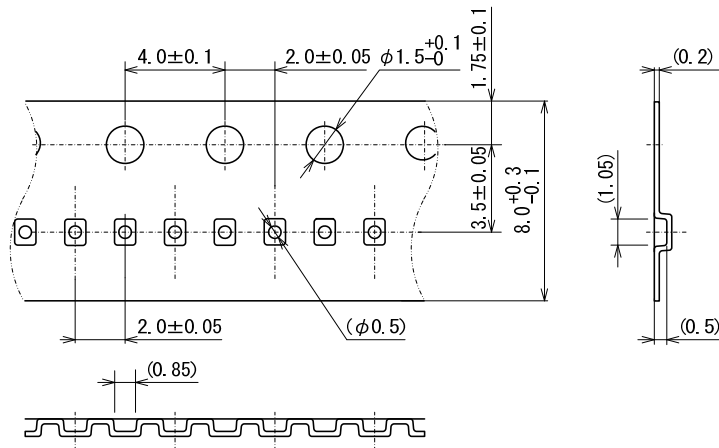
●USPN-4B02 Reel



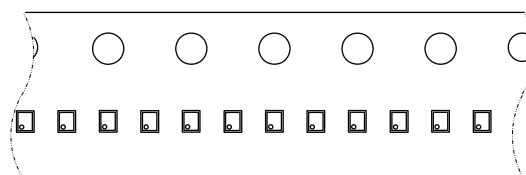
Unit: mm

5,000pcs/reel

●Taping Specifications



direction of feed
→



R Type :[Device orientation : Right]

Standard feed